

monoblocks



www.gtbgroup.cz



ENG

GTB
group

**MONOBLOCK ASSEMBLIES
FOR UPRIGHT CABINETS**

**PARTS
FOR YOUR
PRODUCTS**

...READY To USE



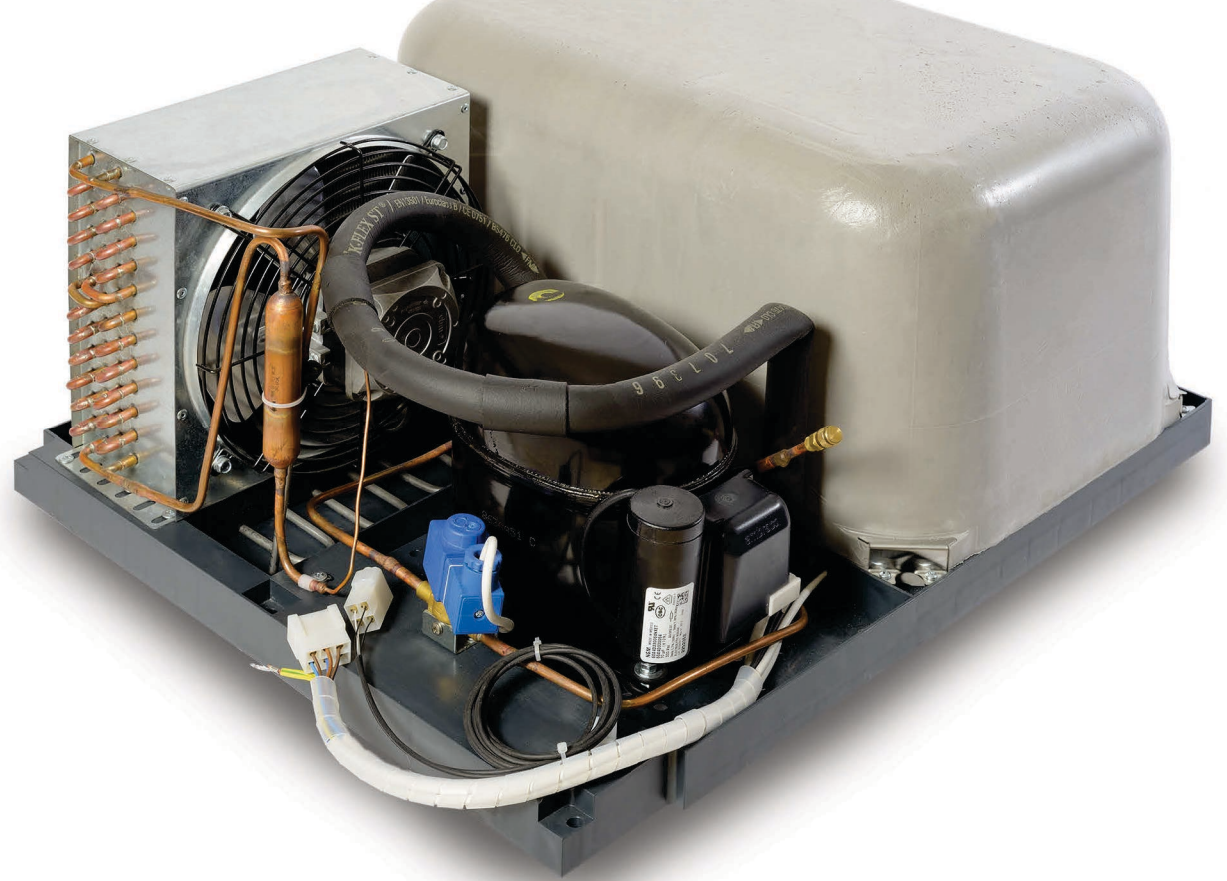
- Ready for fast installation
- Ready to help healthy environment with gas R290
- Ready for easy maintenance and service

GTB monoblocks

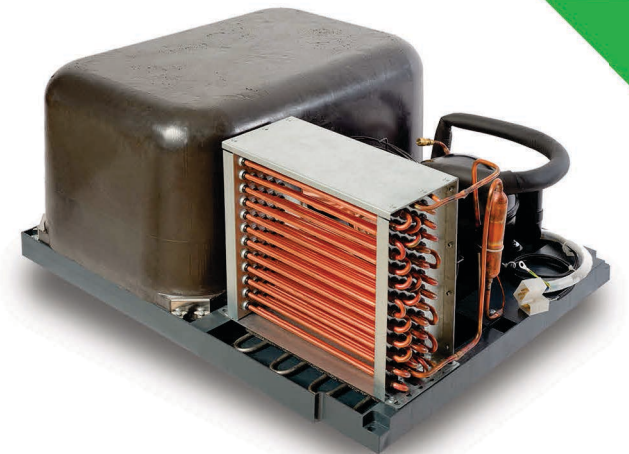
Main advantages against competition:

- Dust-free condensers
- Special PUR insulation cover (used the best and latest PUR foam in the world)
- Strong and rigid base made from special plastic composite

PARTS FOR YOUR PRODUCTS



↑ With standard condensers



↑ With dust free condensers

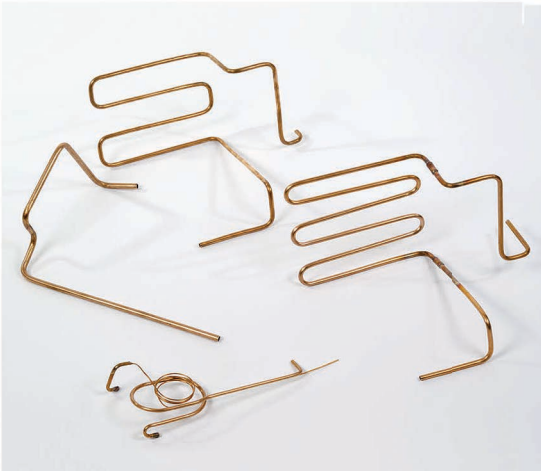
...DO IT YOURSELF



↑ Compressor



↑ Rigid base with PUR insulation cover



↑ Tubes



↑ Non-service condenser

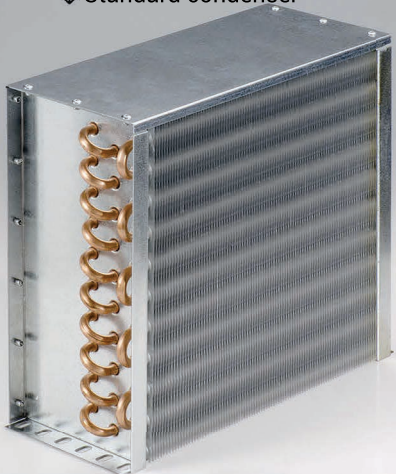
↓ Evaporator painted



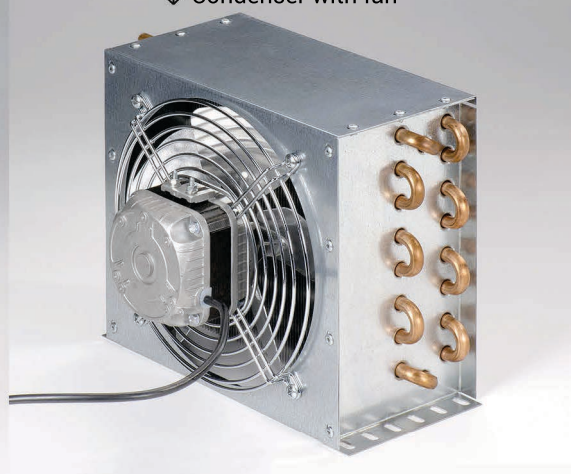
- GTB follows the slogan „PARTS FOR YOUR PRODUCTS“

- Choose the part you need and do it in your factory.

↓ Standard condenser

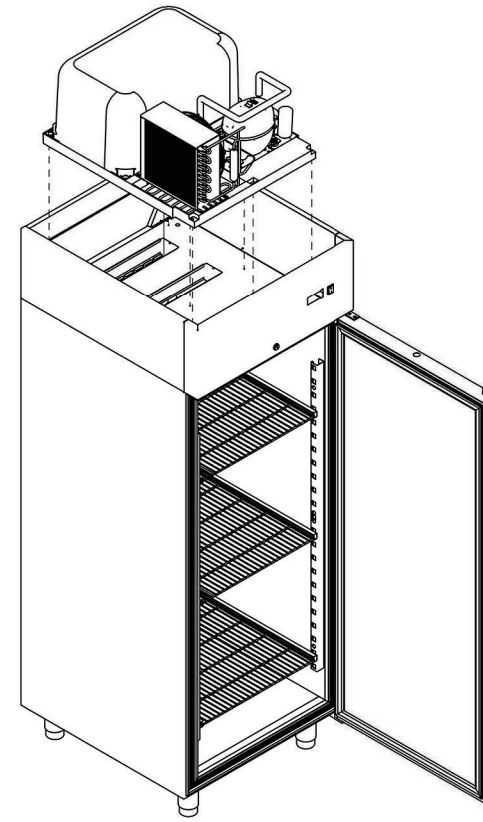
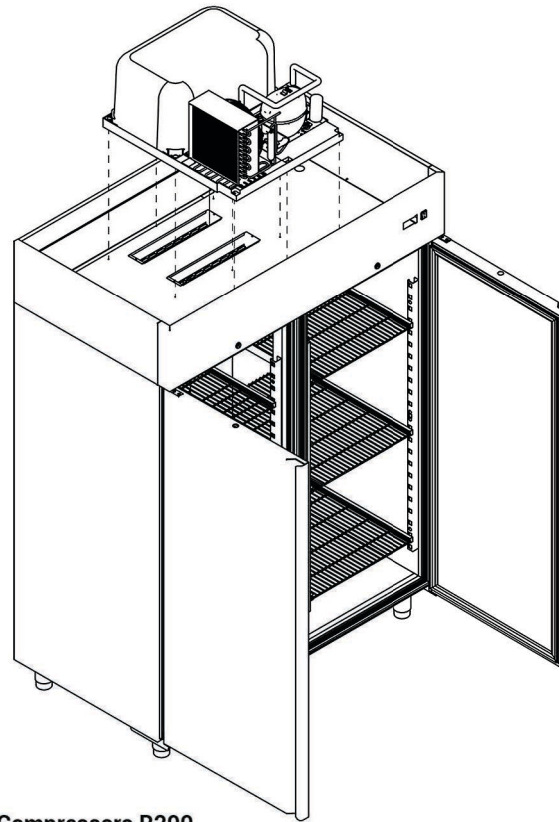


↓ Condenser with fan



GTB
group

MONOBLOCK ASSEMBLIES FOR UPRIGHT CABINETS



↓ Refrigerator with Monoblock



↓ Compressors R290

Model	V	Hz	Refrigerant	Defros	Tc °C	Te °C	Cooling capacity W	Consumption W	Current A	Temperature °C
1400 BT	220/240	50	R290	hot gas	50	-30	576	523	2,66	-18/-22
700 BT	220/240	50	R290	hot gas	50	-30	258	219	1,49	-18/-22
1400 TN	220/240	50	R290	natural	50	-10	655	387	2,66	+2/+6
700 TN	220/240	50	R290	natural	50	-10	443	244	1,76	+2/+6
1400 TM	220/240	50	R290	hot gas	50	-15	635	447	2,77	-2/+2
700 TM	220/240	50	R290	hot gas	50	-15	455	318	2,41	-2/+2

**PARTS
FOR YOUR
PRODUCTS**

GTB GROUP, s.r.o.
Na Baštici 350, 738 01 Staré Město, Frýdek-Místek, Czech republic
tel.: +420 558 442 320, +420 558 442 394, fax: +420 558 442 399
e-mail: export@gtb.cz

www.gtbgroup.cz

GTB
group